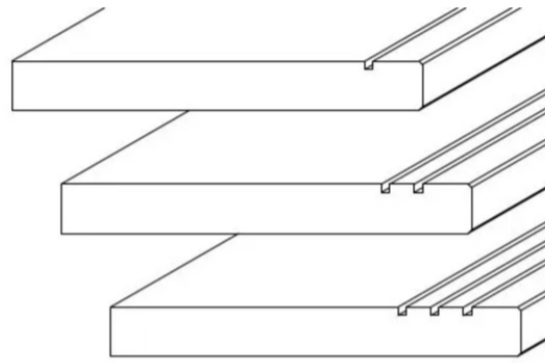


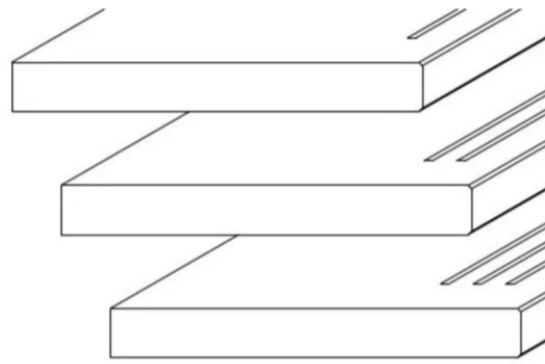
## TYPES OF ANTI-SLIP

---

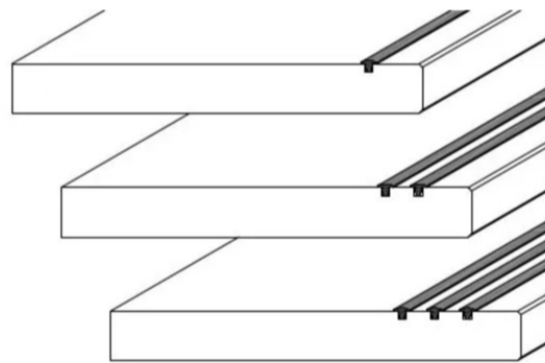
### Continuous grooves



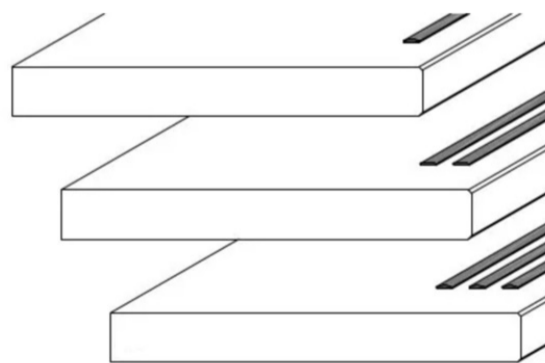
### Grooving stopping



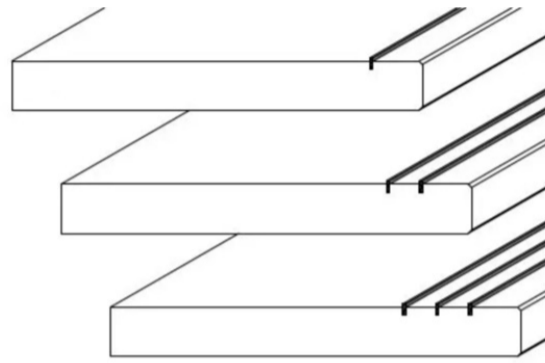
### Continuous rubber T- profile



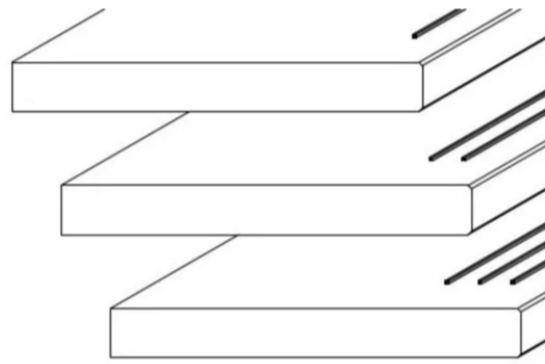
### Rubber T profile stopping



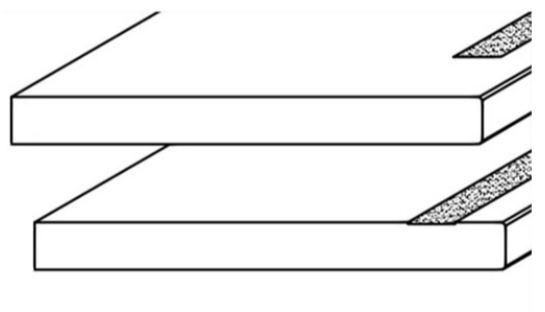
**Continuous messing profile**



**Messing profile stopping**



**Sandblasted strip continuous or stopping**



The distance between the first groove or other anti-slip strip and the nose of the step is 2 cm each.